



Features

- Built-in Web Server for IF-THEN-ELSE rule setting
- Built-in IF-THEN-ELSE rule engine for logic operation
- No more programming. Just click and get done!
- Support IO, Counter, Timer, Email operations
- Modbus/TCP Protocol for SCADA Software Seamless Integration
- IEEE 802.3af-compliant Power over Ethernet (PoE)
- 10/100 Base-TX Ethernet
- Support Current Input, Voltage Input and Thermocouple Input
- Over Voltage Protection is up to 240 Vrms
- 6-channel Digital Outputs
- 2-way Isolation/ESD Protection



Introduction

WISE (Web Inside, Smart Engine) is a product series developed by ICP DAS that functions as control units for use in remote logic control and monitoring in various industrial applications. WISE offers a user-friendly and intuitive web site interface that allows users to implement IF-THEN-ELSE control logic on controllers just a few clicks away; no programming is required. With its powerful and easy-to-use features, it will minimize the learning curve, shorten time to market and dramatically reduce the labor and cost spent on system development.

WISE-7118Z follows IEEE 802.3af-compliant (classification, Class 1) Power over Ethernet (PoE) specification. It allows receiving power from PoE enabled network by Ethernet pairs (Category 5 Ethernet cable). This feature provides greater flexibility and higher efficiency therefore simplifying systems design, saving space, reducing cables and eliminating the requirement for dedicated electrical outlets. Meanwhile, in case under a non-PoE environment, WISE-7118Z will still be able to receive power from auxiliary power sources like AC adapters or battery, etc.

This multi-function module WISE-7118Z supports Modbus/TCP protocol to make seamless integration with SCADA software available. It features 16-bit, 10-channel differential analog inputs and 6-channel digital outputs. Each analog channel is allowed to configure an individual range and has 240 Vrms high over voltage protection.

Applications

Building Automation, Factory Automation, Machine Automation, Remote Maintenance, Remote Diagnosis, Testing Equipment, etc.

System Specifications

I/O Specifications

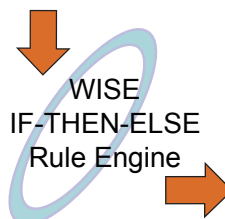
| Analog Input | |
|----------------------------------------|-------------------------------------------------------------------------------------------------------------------------------------------------------------------------------------------------------|
| Input Channels | 10 (Differential) |
| Input Type | +/-15 mV, +/-50 mV, +/-100 mV, +/-500 mV, +/-1 V, +/-2.5 V +/-20 mA, 0 ~ 20 mA, 4 ~ 20 mA (Requires Optional External 125 Ω Resistor) Thermocouple (J, K, T, E, R, S, B, N, C, L, M, LDIN43710) |
| Resolution | 16-bit |
| Sampling Rate | 10 Sample/Sec. (Total) |
| Accuracy | +/-0.1% or better |
| Zero Drift | +/-0.5 μV/°C |
| Span Drift | +/-25 ppm/°C |
| Overvoltage Protection | 240 Vrms |
| Input Impedance | >300 kΩ |
| Common Mode Rejection | 150 dB Min. |
| Normal Mode Rejection | 100 dB |
| Individual Channel Configuration | Yes |
| Temperature Outputs Consistency | Yes |
| Stable temperature output in the field | Yes |
| Open Wire Detection | Yes |
| Digital Output | |
| Output Channels | 6 |
| Output Type | Isolated Open Collector (Sink) |
| Max. Load Current | 700 mA/Channel |
| Load Voltage | +5 V _{DC} ~ +50 V _{DC} |
| Overvoltage Protection | 60 V _{DC} |
| Overload Protection | 1.4 A |
| Short-circuit Protection | Yes |

| System | |
|-----------------------------|----------------------------------------------------------------|
| CPU | 16-bit CPU |
| SRAM | 512KB |
| Flash Memory | 512KB |
| EEPROM | 16KB |
| Watchdog | Yes |
| Communication | |
| PoE Ethernet Port | 10/100 Base-TX and automatic MDI/MDI-X |
| 2-Way Isolation | |
| I/O | 2500 V _{DC} |
| EMS Protection | |
| ESD (IEC 61000-4-2) | ±4 kV Contact for each terminal and ±8 kV Air for random point |
| EFT (IEC 61000-4-4) | ±4 kV for Power Line |
| LED Indicators | |
| PoE Power | PoE On |
| L1 | System Running |
| L2 | Ethernet Link/Act |
| L3 | Ethernet 10/100 M Speed |
| Power Requirements | |
| Reverse Polarity Protection | Yes |
| Powered from Terminal Block | Yes, 12 ~ 48 V _{DC} |
| Powered from PoE | Yes, IEEE 802.3af, Class1 |
| Consumption | 3.0 W |
| Mechanical | |
| Dimensions (W x L x D) | 72 mm x 123 mm x 35 mm |
| Installation | DIN-Rail or Wall mounting |
| Environment | |
| Operating Temperature | -25 °C ~ +75 °C |
| Storage Temperature | -30 °C ~ +80 °C |
| Humidity | 10 ~ 90% RH, non-condensing |

Software Specifications

| Functions | |
|-----------------------------|----------------------------------------------------------------------------------------------------|
| Rule Configuration Website | Access Web server on WISE controllers to edit and upload logic rules through web browser. |
| 36 IF-THEN-ELSE Logic Rules | 3 IF conditions with AND or OR operators 3 THEN actions and 3 ELSE actions |
| 48 Internal Registers | Hold temporary variables and read/write data via Modbus/TCP address. |
| 12 Timers | Delay / Timing functions. |
| 12 Emails | Send Email messages to pre-set Email receivers. |
| 12 CGI Commands | Send pre-set CGI commands. |
| 12 Recipes | Set up THEN/ELSE action groups. |
| 8 P2P remote modules | Set up the connection information for the remote WISE modules. |
| Modbus/TCP Protocol | Real time control and monitoring I/O channels and system status of controllers via SCADA software. |

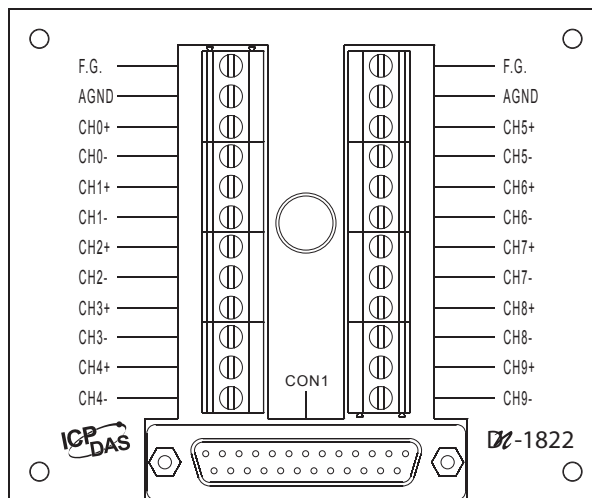
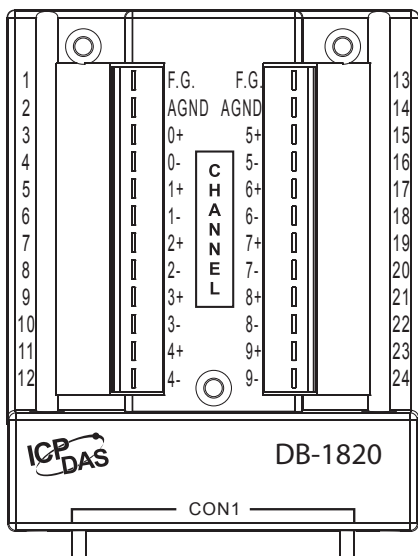
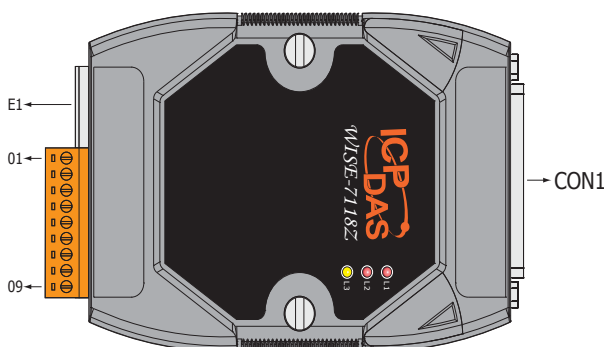
| IF Conditions | |
|-------------------|------------------------------------|
| AI Channel | |
| Internal Register | =, >, <, >=, <= (value) |
| DO Counter | =, >, <, >=, <= (value), Change |
| Timer | Timeout, Not Timeout |
| P2P | DI, AI, DI counter, DO counter, IR |
| Rule Status | Enable, Disable |



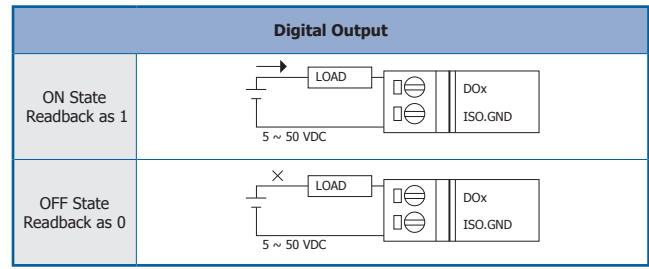
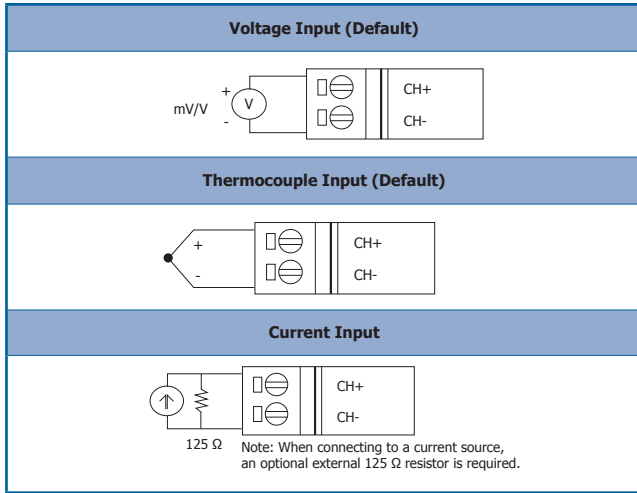
| THEN / ELSE Actions | |
|---------------------|-----------------------|
| DO Channel | ON, OFF, Pulse Output |
| Internal Register | Change the value |
| DO Counter | Reset |
| Timer | Start, Reset |
| Email | Send |
| CGI Commands | Send |
| Recipe | Execute |
| P2P | DO(On/Off), AO, IR |
| Rule Status | Enable, Disable |

Pin Assignments

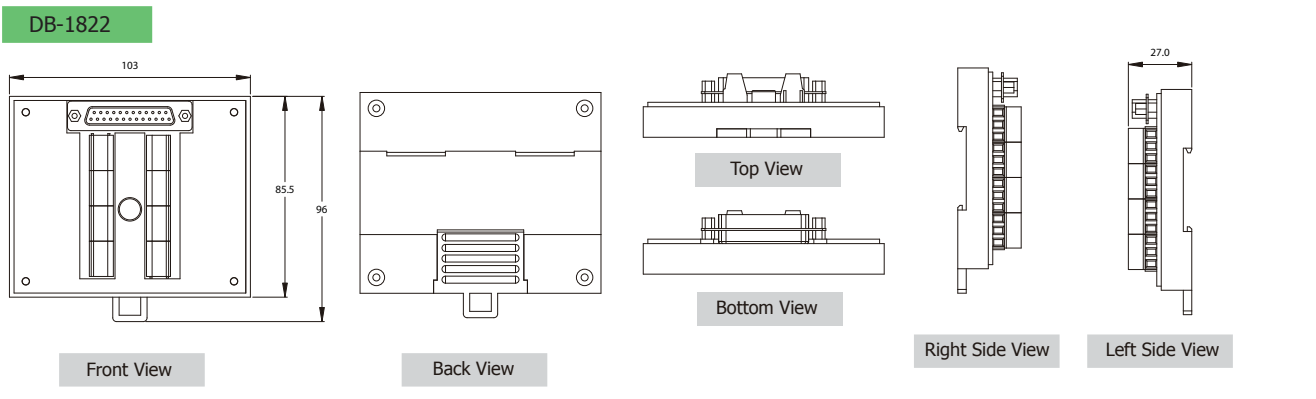
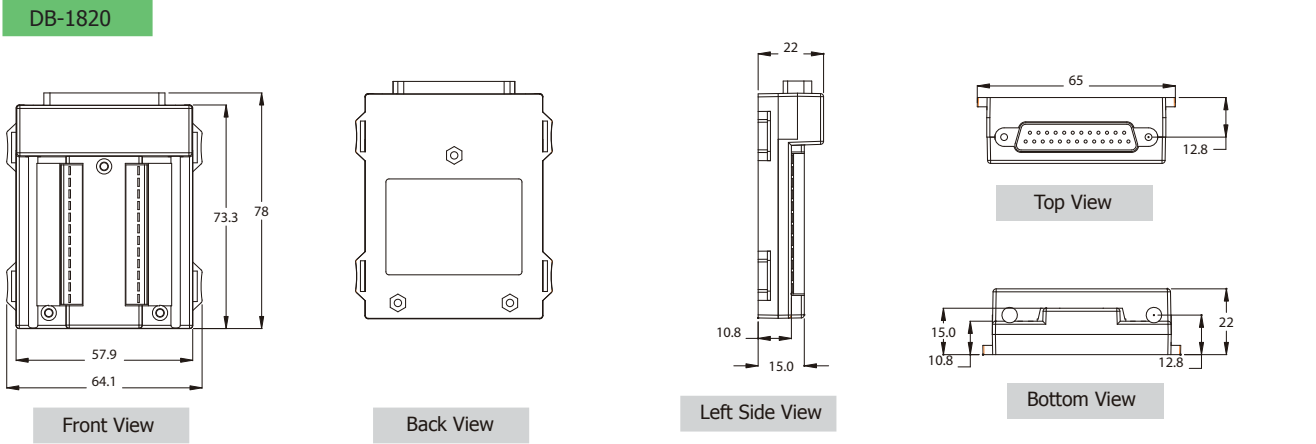
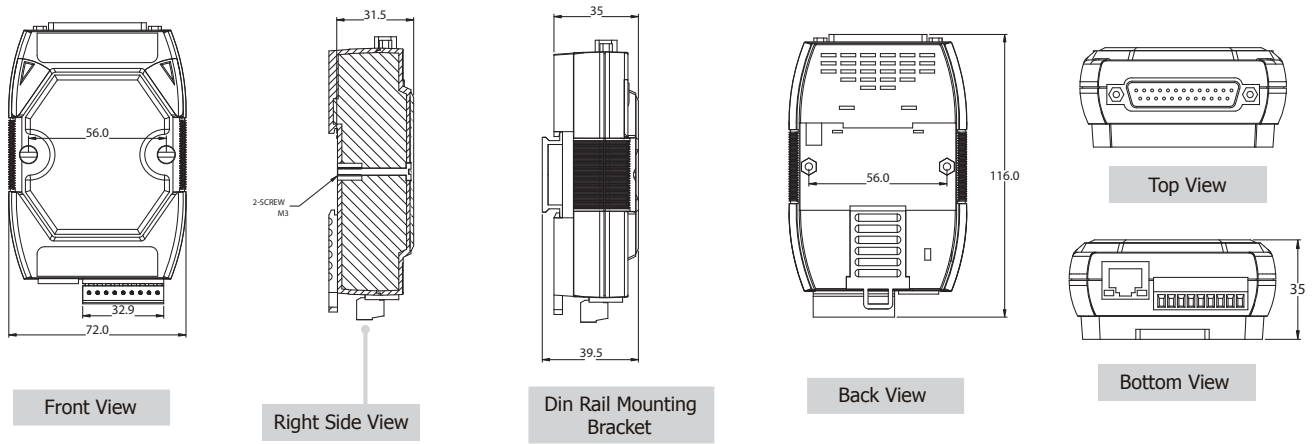
| Terminal No. | Pin Assignment |
|--------------|----------------|
| E1 | RJ-45 |
| 01 | DO0 |
| 02 | DO1 |
| 03 | DO2 |
| 04 | DO3 |
| 05 | DO4 |
| 06 | DO5 |
| 07 | ISO.GND |
| 08 | (R)+Vs |
| 09 | (B)GND |



Wire Connections



Dimensions (Unit:mm)



Ordering Information

| | |
|-------------------------|------------------------------------------------------------------------------------------------------------------------------------------------------|
| WISE-7118Z/S CR | 10-channel Thermocouple Input with High Voltage Protection and 6-channel Isolated Output PoE Module(RoHS) and DB-1820 daughter board. |
| WISE-7118Z/S2 CR | 10-channel Thermocouple Input with High Voltage Protection and 6-channel Isolated Output PoE Module(RoHS) and DN-1822 daughter board and 1.8m cable. |



Accessories

| | | |
|-------------------------------------------------------------------------------------|-------------------------|----------------------------------------------------------------------------------------|
|  | NS-205 CR | Unmanaged 5-port Industrial Ethernet Switch; requires a 24 Vdc Input (RoHS) |
|  | NS-205PSE CR | Unmanaged Ethernet switch with 4-PoE and 1 RJ45 uplink; requires a 48 Vdc Input (RoHS) |
|  | NS-205PSE-24V CR | Unmanaged Ethernet switch with 4-PoE and 1 RJ45 uplink; requires a 24 Vdc Input (RoHS) |
|  | MDR-20-24 CR | 24V/1A, 24 W Power Supply with DIN-Rail Mounting (RoHS) |
|  | DIN-KA52F-48 CR | 48V/0.52A, 25 W Power Supply with DIN-Rail Mounting (RoHS) |
|  | CD-2518D CR | 25F-25M 1.8 m Cable with DIN-Rail Mount for the DB-1820 (RoHS) |
|  | CD-25015 CR | 25F-25M 15 cm Cable with DIN-Rail Mount for the DB-1820 (RoHS) |
|  | 4PAPP-006-G CR | Plastic Rack (RoHS) |

